

User guide

Profoto B10

For other languages visit:
www.profoto.com/support

 **Profoto**

Congratulations on your new Profoto product!

Regardless if you chose a new flash or a new light shaping tool, know that almost half a century's worth of experience was put into its making.

If the years have taught us one thing, it is to never neglect a single detail. We only put our name on a product in which we have the fullest confidence. Before shipping, every one of our products passes an extensive and strict testing program. Unless it complies with the specified performance, quality and safety, it is a no-go.

As a result, we are confident that your new Profoto product will stay with you for years and help you grow as a photographer. But getting the product is only the beginning of that journey. Using it for light shaping is the real adventure. That is why we take pride in providing you with such a wide assortment of light shaping tools, allowing you to shape the light in any way you can imagine.

The almost infinite possibilities might seem bewildering at first, but we're certain you will soon get the hang of it.

I encourage you to sign up for our newsletter or visit Profoto stories, www.profoto.com/profoto-stories, to learn more about shaping light from photographers who are sharing their stories about how Profoto Light Shaping Tools help them create outstanding images.

Enjoy your Profoto product!

Conny Dufgran, founder

General safety instructions



Safety Precautions!

Do not operate the equipment before studying the instruction manual carefully. Make sure that Profoto Safety Instructions is always accompanied the equipment! Profoto products are intended for indoor conditions use! Do not place or use the equipment where it can be exposed to moisture, extreme electromagnetic fields, or in areas with flammable gases or dust! Do not expose the equipment to dripping or splashing. Do not place any objects filled with liquids, such as vases, on or near the equipment. Do not expose the equipment to hasty temperature changes in humid conditions as this could lead to condensation water in the unit. Do not connect this equipment to flash equipment from other brands. The front lens shall be changed if it has become visibly damaged to such an extent that their effectiveness is impaired, for example by cracks or deep scratches. Equipment must only be serviced, modified or repaired by authorized and competent service personnel! Warning - The terminals marked with the flash symbol are hazardous live.



WARNING – Electrical Shock Hazard – High Voltage!

Do not open or disassemble flashes, generators or lamp heads! Equipment operates with high voltage. Generator capacitors are electrically charged for a considerable length of time after being turned off. Batteries (battery pack or batteries installed) shall not be exposed to excessive heat such as direct sunlight, fire, or the like.



Caution – Burn Hazard – Hot Parts!

If front lens cracks, it must be replaced before re-use of the equipment. Do not touch front lens during operation, it may reach a high temperature.

NOTICE

Note about RF!

This equipment makes use of the radio spectrum and emits radio frequency energy. Make sure the device is operated according to local regulations. The frequency spectrum this device is using is shared with other users. Interference cannot be ruled out. Due to varying regulations and limits on radio transmissions, Profoto B10 has a power output setting. Some countries do not allow the use of the full power mode, please refer to your country specific section in the user guide to see the maximum allowed power setting allowed by national regulations. Please note that reducing the power output will affect the range of the device.



Final Disposal

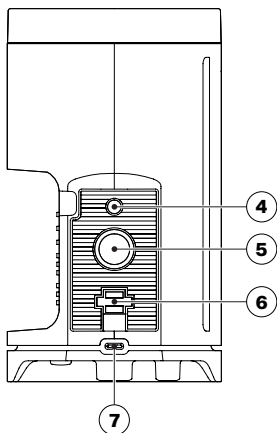
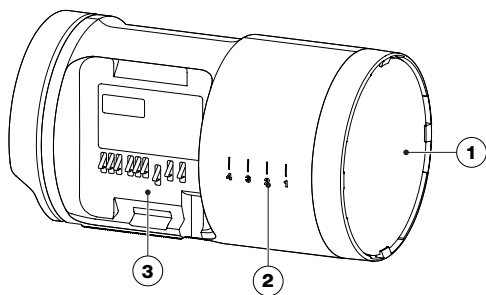
When the product reaches end of service, do not dispose of it with your other household waste. Equipment contains battery, electrical and electronic components that could be harmful to the environment. Equipment may be returned to Profoto distributors free of charge for recycling. Follow local legislation for disposal of batteries, electrical and electronic components, respectively.

Table of Contents

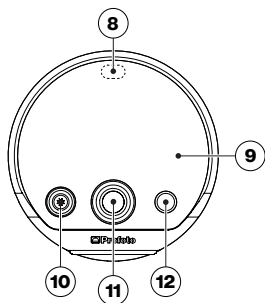
General safety instructions.....	4
Nomenclature	7
Getting started.....	10
Charge the battery.....	10
Check the battery status	10
Mount the battery	11
Attach the stand adapter.....	12
Setup on light stands.....	13
Setup on camera tripods.....	14
Mount Profoto Light Shaping Tools.....	15
Change front glass, flash tube and LED.....	16
Basic operation.....	17
Switch on/off.....	17
Adjust the flash power.....	17
Adjust the continuous light	18
Navigate the settings menu	19
Menu settings	20
Air group.....	20
Air channel.....	20
Air	20
Bluetooth	20
IR slave.....	21
Flash mode	21
Continuous light	22
Advanced settings.....	22
Air operation	25
Trigger (Channel setup).....	25
Remote control (Group setup)	25
TTL.....	26
High-Speed Sync	26
Air compatibility overview.....	26
General notes on Air operation	27
Profoto app connectivity	27

Other	28
Battery storage	28
Overheat protection	28
Quick burst	28
Firmware update	29
Serial number	29
Technical data	30
Warranty	33
Regulatory information	34

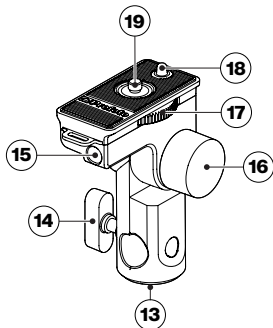
Nomenclature



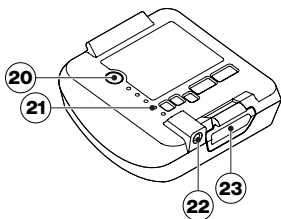
- | | |
|------------------------|-----------------------------------|
| 1. Front glass | 5. Stand adapter attachment point |
| 2. Zoom scale | 6. Strap attachment point |
| 3. Battery compartment | 7. USB-C port |
| 4. Alignment pin hole | |



- 8. IR-Slave eye
- 9. Display
- 10. Continuous light dial
- 11. Main dial
- 12. Test button



- 13. Stand stud mount
- 14. Clamp screw
- 15. Umbrella holder
- 16. Tilt-lock knob
- 17. Attachment screw wheel
- 18. Alignment pin
- 19. Attachment screw

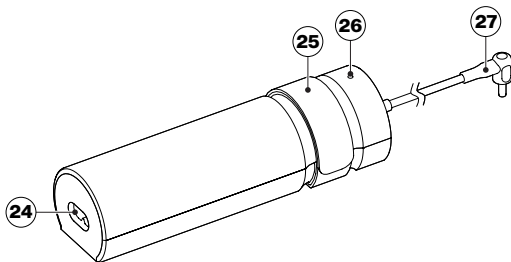


20. Battery status button

21. Battery status LEDs

22. Battery charge connector

23. Battery release button



24. AC inlet

25. Strap

26. Charge status indicator

27. Battery connector plug

Getting started

Charge the battery

The battery can be charged from any charge level. Only use the Profoto charger supplied with the Profoto B10 or other chargers recommended by Profoto.

Charge the battery:

1. Connect the battery connector plug [27] on the battery charger to the battery charge connector [22] on the battery.
2. Connect the battery charger to mains power.
3. Check that the charger indicator [26] is continuously amber, indicating that charging is in progress.
4. When the charging is completed, the charger indicator [26] turns green. When not charging it is recommended to disconnect the battery charger from mains power and from the battery.

NOTE

- If the battery is deeply discharged, the charging time can be longer than specified in section Technical data.
- Battery charger indicator blinking amber indicates battery error. Contact a Profoto dealer for support.

Check the battery status


The battery charge can be checked on the battery itself by pressing the Battery status button [20].

While the battery status button is pressed, the battery charge status is indicated by the Battery status LEDs [21]:

5 LED:	75-100 %
4 LED:	50-75 %
3 LED:	25-50 %
2 LED:	10-25 %
1 LED:	<10 %:

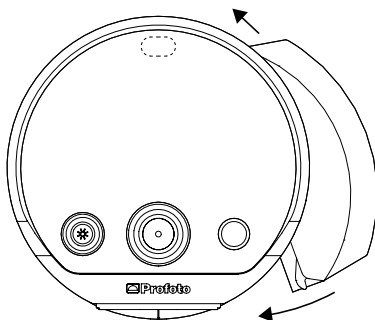
Once the Profoto B10 is turned on, the battery charge status is indicated by the battery icon  in the bottom right of the display [9]:

4 sections:	75-100 %
3 sections:	50-75 %
2 section:	25-50 %
1 section:	10-25 %
Empty frame:	<10 %

If the Profoto B10 is turned on and the battery is charged during use, it will be indicated by a battery charge icon  in the bottom right of the display [9].

Mount the battery

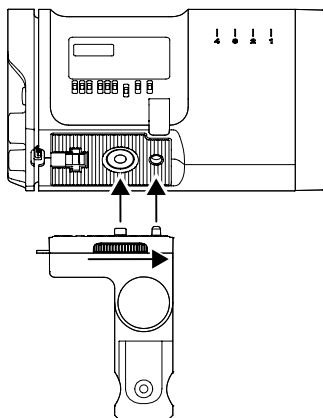
1. To mount the battery, fit the battery into the Profoto B10 unit as illustrated below and press firmly until you hear a “click” sound, indicating that the battery is locked in place.
2. To dismount the battery, first, switch off the Profoto B10 unit. Press the battery release button [23] and pull out the battery.



Attach the stand adapter

Attach the stand adapter to the stand adapter attachment point [5] on the Profoto B10.

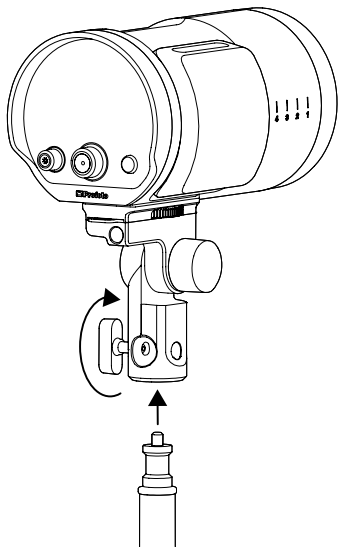
1. Before attaching, observe that the alignment pin [18] on the stand adapter, fits into alignment pint hole [4] on the Profoto B10.
2. Tighten the attachment screw [19] with the attachment screw wheel [17] until the stand adapter sits firm.



Setup on light stands

Before mounting the Profoto B10 onto a light stand, you need to attach the stand adapter. Once the stand adapter is attached, follow the instruction below.

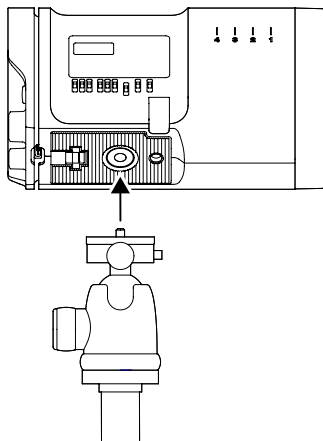
1. Mount the Stand stud mount [13] onto the stand stud and secure with the Clamp screw [14].
2. Loosen the Tilt lock knob [16] to adjust the tilt position.
3. Tighten the Tilt lock knob [16] to lock the tilt position.



Setup on camera tripods

It is easy to mount the Profoto B10 onto any camera tripod or ball head.

1. If the stand adapter is attached to the Profoto B10, first remove it.
2. Attach the tripod or ball head onto the stand adapter attachment point [5] on the Profoto B10.



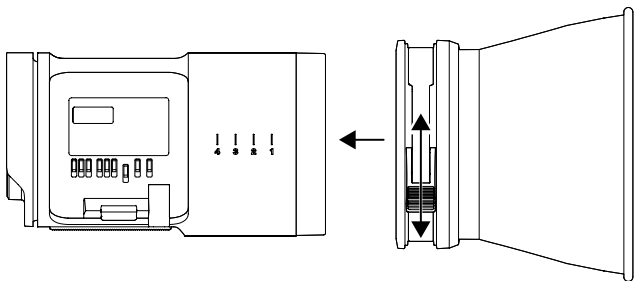
Mount Profoto Light Shaping Tools

The Profoto B10 is compatible with more than Profoto 120 light shaping tools, which can be used to shape its already beautiful light into almost any light you can imagine. Note that instructions additional from those below may come with each light shaping tool.

Mount tools with standard reflector mount (rubber collar with clasp)

Most reflectors are equipped with Profoto's unique clamp mechanism. This makes them easy to mount and allows you to shape the light by simply sliding the reflector back and forth along the zoom scale [2] on the Profoto B10.

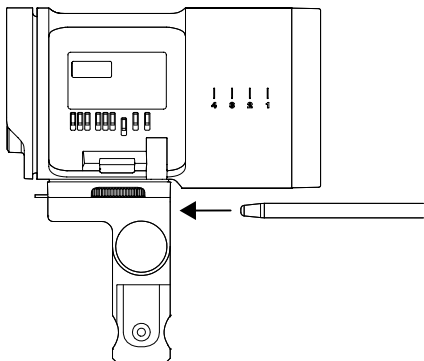
1. Unlock the clasp on the reflector.
2. Slide the reflector onto the front of the Profoto B10. Use the zoom scale [2] as a memo for where to position the reflector.
3. Secure the reflector by locking the clasp on the reflector.



Mount umbrellas

The umbrella holder is integrated into the stand adapter. Umbrellas are easily mounted by sliding the umbrella shaft into the umbrella holder [15]. The umbrella shaft diameter must be between 7 mm and 8 mm to fit into the umbrella holder.

1. Mount the stand adapter on the Profoto B10.
2. Slide the umbrella shaft into the umbrella holder [15] passing the point where you feel some friction.
3. Continue to slide the umbrella shaft into the umbrella holder [15] until the umbrella is positioned where you want it.



Change front glass, flash tube and LED

Replacement of the front glass, flash tube, or continuous light LED can only be performed by a service technician. Contact your nearest Profoto dealer or distributor for professional service.

Basic operation

Switch on/off

1. To switch on the unit, press and hold the Test button [12].
2. To switch off the unit, press and hold the Test button [12].

When the Profoto B10 is switched off, the current settings are stored and will apply when the unit is switched on again.

NOTE

To save battery, the Profoto B10 automatically enters standby mode and/or switches off completely after a period of inactivity. The periods of inactivity for the standby and auto power off functions are selectable via the settings menu.

Adjust the flash power

The flash power setting (light output) is shown in big bold numbers on the display [9]. The power scale is a relative f-stop scale from 1.0-10. The maximum light output is shown as 10.

Use the Main dial [11] to change the flash light output:

- Turn the Main dial [11] to change the light output in 1/10 f-stop increments.
- Press and turn the Main dial [11] to change the light output in 1 f-stop increments.
- Press the Test button [12] to release a test flash.

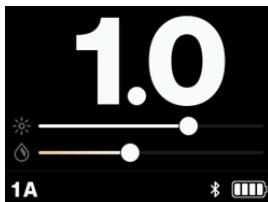
Adjust the continuous light

The continuous light can be set to FREE (factory setting) or PROPORTIONAL in the settings menu.

1. When set to FREE the continuous light brightness can be adjusted separately from the flash power.
2. When set to PROPORTIONAL the continuous light brightness is always proportional to the flash power.

Adjusting continuous light when it is set to FREE

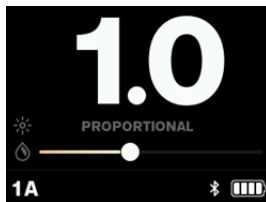
1. Press the Continuous light dial [10] to turn the continuous light on or off.
2. When the continuous light is on, the brightness and color temperature is indicated in the display [9] by two separate bars as shown below.



3. Turn the Continuous light dial [10] to change the brightness.
4. Press and turn the Continuous light dial [10] to change the color temperature.

Adjusting continuous light when it is set to PROPORTIONAL

1. Press the Continuous light dial [10] to turn the continuous light on or off.
2. When the continuous light is on, the brightness and color temperature is indicated in the display [9] as shown below.

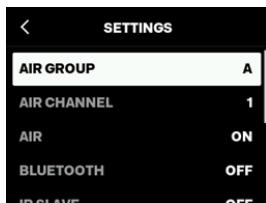


3. Turn the Main dial [11] to change the intensity (this will change both flash and continuous light proportionally).
4. Turn the continuous light dial [10] to change the color temperature.

Navigate the settings menu

All Profoto B10 settings are accessed and selected through the settings menu.

1. Press the Main dial [11] to enter the settings menu.



2. Scroll through the settings menu by turning the Main dial [11].
3. To change a setting, press the main dial [11]. For some settings, a sub menu will appear.
4. To return to the previous menu, press the Continuous light dial [10] or select the left arrow symbol at the top of the menu.
5. To return to the main screen, press the Test button [12].

Menu settings

All settings listed below are accessed through the settings menu.

Airgroup

The AIR GROUP setting is used to select the group (A-F) for wireless control via Profoto Air. See also section Air operation. Factory default setting is group A.

NOTE

The AIR GROUP setting is only selectable when AIR is set ON.

Air channel

The AIR CHANNEL setting is used to select the channel (1-8) for wireless triggering via Profoto Air. Factory default setting is channel 1. See also section Air operation.

NOTE

The AIR CHANNEL setting is only selectable when AIR is set ON.

Air

The AIR setting can be set to ON or OFF to activate or deactivate Profoto Air wireless functionality. When Air is deactivated, "AIR OFF" is shown at the bottom left of the display [9]. When Air is activated, the set channel and group, ex "1A" is shown at the bottom left of the display [9].

NOTE

If AIR is ON channel and group must also be selected. For additional guidance how to set up Air, see the section "Air operation".

Bluetooth

The BLUETOOTH setting is used to manage connectivity with the Profoto app. See also section Profoto app connectivity.

- **DISCOVERABLE:** Select ON to make the Profoto B10 discoverable and OFF to deactivate Bluetooth. When Bluetooth is activated, a Bluetooth icon is shown at the bottom of the main screen of the display [9].

- **DISCONNECT:** This is only selectable if the Bluetooth is activated and connected to the Profoto app. Can be selected to force disconnection from the Profoto app without turning off Bluetooth.

IR slave

The IR SLAVE setting can be set to ON or OFF to activate or deactivate the infrared slave sensor. Factory default setting is OFF.

NOTE

It is highly recommended to set IR SLAVE to OFF if other methods of triggering (e.g AIR) is used.

Flash mode

The FLASH MODE setting adjusts the flash duration and color temperature on the flash across the full power range. There are two selectable settings, NORMAL and FREEZE. Factory default setting is NORMAL.

- **NORMAL:** Optimized for consistent color temperature across the full flash power range. NORMAL is the best flash mode for most types of shots.
- **FREEZE:** Optimized for shortest flash duration across the full flash power range. FREEZE is the best option for shots where the flash is used to freeze fast action. When FREEZE is activated a FREEZE indication shown on the main screen.

NOTE

The flash mode setting is only relevant when using the flash at shutter speeds within the camera X-sync range. When shooting at shorter shutter speeds with High-Speed Sync, there is not difference between the two settings.

See an overview of the flash duration and color temperature in NORMAL vs FREEZE mode in the Specification section of this user guide.

Continuous light

The CONTINUOUS LIGHT setting defines how the continuous light intensity is adjusted. There are two selectable settings, PROP and FREE. Factory default setting is FREE.

- PROP: The continuous light intensity is always proportional to the flash power setting. This setting is recommended if the continuous light is used as modeling light.
- FREE: The continuous light intensity can be set independent from the flash power setting. This setting is recommended if the continuous light is used as video light.

NOTE

For instructions on how to adjust the continuous light when either PROP or FREE is selected, go to the section “Adjust the continuous light”.

Advanced settings

Ready signal

The READY SIGNAL setting sets how the Profoto B10 indicates that it is fully recycled after a flash and is ready to flash again. There are four selectable settings:

- SOUND: The Profoto B10 beeps when it has recycled and is ready to flash.
- DIM: The continuous light turns off after flashing and turns on when the Profoto B10 has recycled and is ready to flash.
- SOUND & DIM: The Profoto B10 signals with both SOUND and DIM.
- OFF: The Profoto B10 doesn't signal that it is ready to flash. This is the factory default setting.

NOTE

The test button [12] always comes off after flashing and comes on again when the Profoto B10 is fully recycled. The Profoto B10 will always flash even when not fully recycled but the flash power might then be lower than the set flash power.

Control sounds

The CONTROL SOUNDS setting can be set to ON or OFF to enable/disable tactile sounds for control knobs and buttons. Factory default setting is ON.

Exposure warning

The EXPOSURE WARNING setting can be set to ON or OFF to enable/disable a warning sound for wrong exposure if a flash is fired before the Profoto B10 has recycled. Exposure warning is also issued if the requested flash energy is out-of-range while using TTL. Factory default setting is OFF.

NOTE

Regardless of EXPOSURE WARNING setting, a yellow EXP symbol will appear on the main screen to warn if the flash cannot fire at set power.

Display brightness

The DISPLAY BRIGHTNESS setting is used to set display brightness. There are four selectable settings:

- **AUTO:** The display brightness is automatically adjusted based on the ambient lighting. This is the factory default setting.
- **MAX**
- **MEDIUM**
- **LOW**

Standby

The STANDBY setting sets a timer for a period of inactivity until the Profoto B10 goes into standby mode to save battery. There are four selectable settings:

- **5 MIN:** The Profoto B10 goes into standby mode after 5 minutes of inactivity.
- **30 MIN:** The Profoto B10 goes into standby mode after 30 minutes of inactivity. This is the factory default setting.
- **1 HOUR:** The Profoto B10 goes into standby mode after 1 hour of inactivity.
- **NEVER:** The Profoto B10 never goes into standby mode.

Auto off

The AUTO OFF setting sets a timer for a period of inactivity until the Profoto B10 turns off to save battery.

There are three selectable settings:

- 15 MIN: The Profoto B10 turns off after 15 minutes of inactivity.
- 1 HOUR: The Profoto B10 turns off after 1 hour of inactivity. This is the factory default setting.
- NEVER: The Profoto B10 never turns off automatically.

24

NOTE

If both the STANDBY and AUTO OFF functions are deactivated, the battery will drain in approx. 8 hours of inactive use.

About

The ABOUT section displays unit specific information about the serial number, hardware, and installed firmware.

Factory reset

FACTORY RESET will reset all settings to factory default settings.

Air operation

Trigger (Channel setup)

The Profoto B10 has AirTTL built-in which means it can be wirelessly triggered and remote controlled from any Profoto Air remote or from the Profoto A1. The Profoto B10 also fully supports AirTTL and High Speed Sync if this is supported by your Air remote and/or camera. The basic trigger setup is very easy in three simple steps and requires no linking between units.

1. Activate Air on the Profoto B10 by selecting AIR ON in the Settings menu.
2. Turn on your Air Remote.
3. Select the same AIR CHANNEL (1-8) on your Air Remote and on your Profoto B10.

NOTE

All flashes on the same AIR CHANNEL will always trigger together, regardless of AIR GROUP setting.

Remote control (Group setup)

Remote controlling the Profoto B10 from an Air Remote or a Profoto A1 is almost as easy as triggering and requires no linking between units.

1. Perform the CHANNEL setup.
2. Select AIR GROUP (A-F) on the Profoto B10.
3. Select the same GROUP on your AIR remote.

NOTE

If you are using more than one light off camera you can set them into different groups to enable individual remote control. For detailed operating instructions, check the user guide for your Air Remote or Profoto A1.

TTL

TTL requires no additional setup on the Profoto B10 once the Air channel and group setup is done. Just switch between TTL or Manual (MAN) on your Air Remote or Profoto A1 to select if you want to let the Profoto B10 adjust the light automatically (TTL) or if you want to control it manually (MAN). All lights keep the flash power set by TTL when you switch to manual. This makes it easy to use TTL as your “light meter” to get a good starting point for manual adjustments. This is sometimes referred to as “hybrid mode”.

NOTE

For detailed operating instructions, check the user guide for your Air Remote or Profoto A1.

High-Speed Sync

High-Speed Sync requires no additional setup on the Profoto B10 once the Air channel and group setup is done. For detailed operating instructions, check the user guide for your Air Remote or Profoto A1.

Air compatibility overview

The table below shows all Profoto Air transmitters compatible with the Profoto B10 in September 2018.

Optional Profoto Air transmitters	Usable features in combination with Profoto B10			
	Flash sync	Remote control	TTL	High-Speed Sync
Profoto A1 (optional versions available)	X	X	X	X
Air Remote TTL (optional versions available)	X	X	X	X
Air Remote	X	X		
Air Sync	X			

General notes on Air operation

The Profoto Air channels (1-8) use eight specific frequencies in the 2.4 GHz band and have a wireless operating range of up to 300 meters (1000ft). For best wireless performance please consider the following.

- Maintain line of sight between the Profoto Air “on camera transmitter” and the off-camera flash unit whenever possible.
- When hiding the off-camera flash from view, try to not hide it behind or against metal or water-filled objects as this will affect the radio range.
- If you experience missing triggers at a relative close range, try switching to another Air channel.
- Minimum recommended operating distance between the on-camera transmitter and off-camera flash is 50cm/20inch.

Profoto app connectivity

It's easy to connect the Profoto B10 with the Profoto app and once you are connected it is even easier and more fun to use the Profoto B10. The Profoto app gives you all in one access to:

- Easy updates
Always have the latest Profoto B10 updates available at your fingertips.
- Smart remote control
View and control all Profoto B10 settings from your smartphone screen.
- Creative capture
Play with light and shadows to create amazing smartphone images lit with your Profoto B10.

As of September 2018, the Profoto app is compatible with Apple iPhone mobile device but more versions are planned.

Go to Apple app Store to download the App.

To connect the Profoto app to the Profoto B10 you need to select BLUETOOTH AVAILABLE in the settings menu on the Profoto B10. Then start the Profoto app and follow the in-app instructions.

Other

Battery storage

If the battery is to be stored for a longer period, it should be charged half-full before storage. Never store an empty battery for a longer period, as it may go into a deep discharge state that can damage the battery cells. After storing a battery for more than 6 months without using it, it is advised to check the charge level on the battery. If less than 2 of the battery status LEDs [21] lights up, the battery should again be charged to half-full before further storage.

Overheat protection

A temperature limit indicator is shown on the main screen of the display [9] if the Profoto B10 has reached a temperature level that has activated the built-in overheat protection. When this occurs, the performance is limited until the temperature level is back to an acceptable level.

Quick burst

Quick burst is an automatically activated function that allows a series (burst) of flashes to be fired at a faster pace than the Profoto B10 can recycle. The function is only active when the light output is set to less than full. The length of the burst, in numbers of flashes, depends on the repetition rate and the set light output. The lower the light output is set, the longer bursts can be triggered. Thanks to this feature, the Profoto B10 can trigger up to 20 flashes per second on lower power output without losing light after the first flash. Note that the accuracy of the light output is slightly less precise when Quick burst is active.

Firmware update

We highly recommend that you look for firmware updates before you start using your new Profoto B10.

The easiest way to register and update the Profoto B10 is through the Profoto app. You can also register at profoto.com/myprofoto and download the latest updates for Mac or PC. Upgrading from a Mac or PC is done via USB-cable to the USB-C port [7] on the Profoto B10. Switch the Profoto B10 off and connect the USB-C cable. After uploading new firmware, disconnect the cable before switching on the Profoto B10. The startup may be delayed for about 10 seconds when a new firmware has been downloaded. If you experience problems with upgrading you can always contact your local dealer or distributor for professional service.

Serial number

The serial number is printed on the Profoto B10 unit, underneath the battery pack. You can also find the serial number in the display [9] under **SETTINGS>ADVANCED>ABOUT**.

Technical data

Flash

Max flash energy	250Ws
Flash power range	1.0-10 (10 f-stop)
Flash recycle time	0.05-2 sec
Flash power stability	±0.1f-stop
Flash duration, Normal mode	See separate table
Flash duration, Freeze mode	See separate table
Flash color temperature, Normal mode	See separate table
Flash color temperature, Freeze mode	See separate table

Continuous light

Continuous light type	LED
Continuous light max output lumens	2500 lumens
Continuous light color temperature	3000K-6500K ±500K
Continuous light CRI (Color rendering index)	90-96

Battery

Battery type	Li-Ion, 14.4 Vdc, 43.2 Wh/3.0Ah
Battery flash capacity (no of flashes)	Up to 400 full power flashes
Max battery continuous light capacity	Up to 75 minutes
Battery charging time	Up to 90 minutes

Synchronization and Control

Profoto Air sync & control	Yes, AirTTL receiver built-in. Transmitters sold separately.
Smartphone control	Yes via Bluetooth through Profoto app
Photocell/IR-slave	Yes

Radio Frequency Specifications

Profoto Air 2.4 GHz

Frequency Band	2.4 GHz (2404 to 2479.3 MHz)
No of frequency channels	8 (Ch.1 to Ch.8)
Radio Power Output	Maximum 19.9 dBm (China max. 9.9 dBm)

Bluetooth low energy technology

Frequency band	2.4 GHz (2404 to 2479.3 MHz)
No of frequency channels	40
Radio Power Output	Maximum 8 dBm

Miscellaneous

Function display	Multifunction LCD display
Auto dumping	Yes
Firmware update	Via Bluetooth from Profoto app or through via USB-C from Windows PC or MAC
Auto standby	Yes, selectable
Auto power off	Yes, selectable

Measurements

Diameter	100 mm
Length	175 mm
Weight excluding Stand adapter	1250 g

All technical data are to be considered as nominal and Profoto reserves the right to make changes without further notice.

		Normal mode			Freeze mode		
		Flash duration		Color temp	Flash duration		Color temp
Energy (scale)	Energy (Ws)	t0.1(s)	t0.5(s)	(K)	t0.1(s)	t0.5(s)	(K)
10.0	250	1/400	1/300	6400	1/400	1/1300	6400
9.0	125	1/650	1/1400	6400	1/1500	1/1800	6600
8.0	62.5	1/1000	1/1500	6400	1/2800	1/4100	6800
7.0	32	1/1400	1/1600	6400	1/4300	1/8000	7000
6.0	15	1/1800	1/2100	6400	1/5800	1/13000	7100
5.0	8	1/2100	1/2700	6400	1/7700	1/17000	7400
4.0	4	1/2600	1/3300	6400	1/9900	1/19000	8000
3.0	2	1/2800	1/3700	6400	1/12000	1/25000	8500
2.0	1	1/3300	1/4600	6400	1/15000	1/50000	8600
1.0	0.5	1/4900	1/7000	6400	1/14000	1/42000	8200

Warranty

All generators, heads and remote controllers manufactured by or for Profoto which bear the Profoto trademark, name or logo are individually tested before they leave the company and guaranteed for a period of two years with the exceptions set out in Warranty terms. If you have any technical problems with the product, please get in contact with an authorized Profoto service station.

Regulatory information

World-wide Usage of Radio Spectrum

The Profoto Air system operates on the license-free 2.4GHz ISM band for SRD (Short Range Devices). This band may be used in most parts of the world. Regional restrictions may apply.

NOTE

Refer to national regulations for the region where the Profoto B10 AirTTL shall be operated and make sure that they are followed.

EU Declaration of Conformity

Hereby, Profoto AB declares that the radio equipment type Profoto B10 AirTTL is in compliance with Directive 2014/53/EU.

The full text of the EU declaration of conformity is available at the following internet address:

<https://profoto.com/se/support/declaration-of-conformity>

RF Power

In order to remain compliant with national regulations and restrictions, please use the following RF POWER settings while operating your Profoto B10 in these countries. Please note that these are subject to change and you may find updated information available for download at Profoto.com

COUNTRY	CHANNEL	RF POWER
USA/Canada	CH1-7	1
USA/Canada	CH8	2
EU (and EES)	CH1-8	2
South Korea	CH1-8	4
China, Taiwan	CH1-8	2
Japan	CH1-8	1

To to enter the RF POWER settings, go to **SETTINGS>ADVANCED>ABOUT** and press and hold button 10 and 11.

Unites States and Canada F.C.C. and Industry Canada

Compliance Statement (Part 15.19) This device complies with Part 15 of FCC rules and RSS-210 of Industry Canada. The operation is subject to the following two conditions:

- 1) this device may not cause harmful interference and,
- 2) this device must accept any interference received, including interference that may cause undesired operation.

Warning (Part 15.21)

Changes or modifications not expressly approved by the party responsible for compliance could void the user's authority to operate the equipment.

Ce dispositif est conforme aux normes RSS-210 d'Industrie Canada. L'utilisation de ce dispositif est autorisée seulement aux conditions suivantes :

- 1) il ne doit pas produire de brouillage et
- 2) l'utilisateur du dispositif doit être prêt à accepter tout brouillage radioélectrique reçu, même si ce brouillage est susceptible de compromettre le fonctionnement du dispositif.

The term 'IC' before the certification/registration number only signifies that the Industry Canada technical specifications were met.

Les lettres 'IC' n'ont aucune autre signification ni aucun autre but que d'identifier ce qui suit comme le numéro de certification/ d'enregistrement d'Industrie Canada.

Profoto AB

Transmitter / Receiver

MODEL: Profoto B10 AirTTL

PRODUCT NO: PCA1444-000

FCC ID: W4G-RMI6, QOQBGM12LMA

IC: 8167A-RMI6, 5123A-BGM12LMA

Made in Sweden

South Korea

해당 무선설비는 전파혼신 가능성이 있으므로 인명안전과 관련된 서비스는 할 수 없음.

Taiwan

經型式認證合格之低功率射頻電機，非經許可，公司、商號或使用者均不得擅自變更頻率、加大功率或變更原設計之特性及功能。

低功率射頻電機之使用不得影響飛航安全及干擾合法通信；經發現有干擾現象時，應立即停用，並改善至無干擾時方得繼續使用。

前項合法通信，指依電信法規定作業之無線電通信。低功率射頻電機須忍受合法通信或工業、科學及醫療用電波輻射性電機設備之干擾。

Japan

The module has been granted modular approval for sale and operation in Japan.

特定無線設備の種類

Classification of specified radio equipment:

Article 2, Clause 1, Item 19

2.4 GHz Wide Band Low Power Data Communication

上記のとおり、電波法第38条の24第1項の規定に基づく認証を行ったものであることを証する。

This is to certify that the above-mentioned certification by type has been granted in accordance with the provisions of Article 38-24, Paragraph 1 of the Radio Law.



202-LSF011

R 209-J00226

Credit

Apple iPhone is a trademark of Apple Inc., registered in the U.S. and other countries.

The Bluetooth® word mark and logos are registered trademarks owned by the Bluetooth SIG, Inc. and any use of such marks by Profoto is under license. Other trademarks and trade names are those of their respective owners.

Profoto AB
Sweden

+46 (0) 8 447 53 00
info@profoto.com
www.profoto.com

 **Profoto**

Technical data and product information are subject to change without notice.

344051, June 2018 Printed in Sweden.